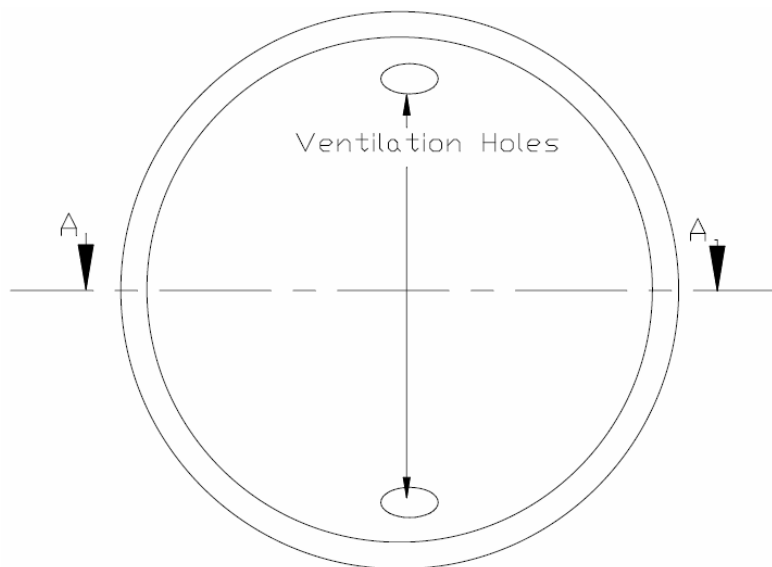
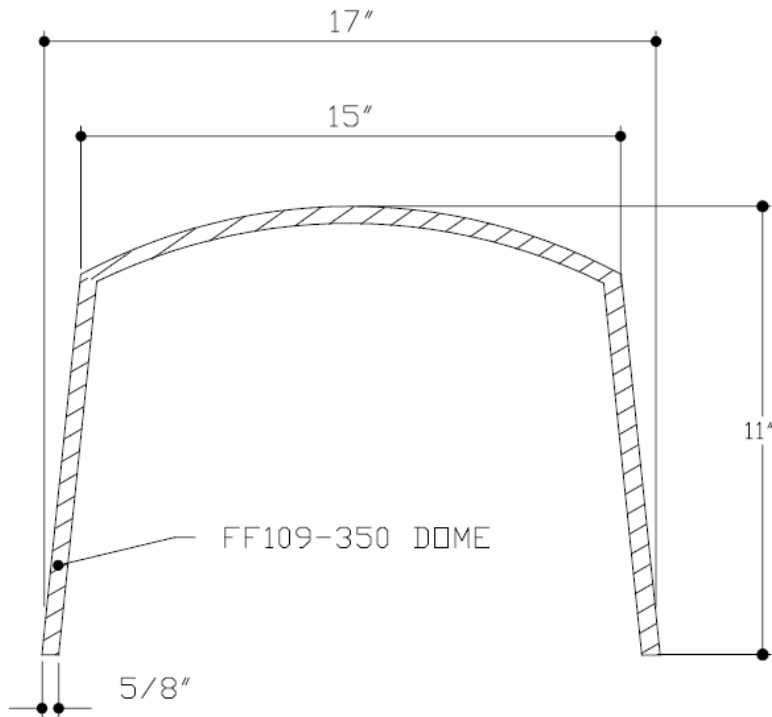


MODEL FF109-350



Model Number	Inside Height	Inside Diameter
FF109-350	10 3/8"	15"

Performance Data

For Use:

- ETL - Intertek certified to maintain the fire rating (1 hour) of fire-rated floor/ceiling assemblies



General Information

Benefits:

- 60 minute protection
- Fits most popular IC rated fixtures
- Can be used in L500 floor/ceiling assemblies
- Lightweight (approx. 1.5 lbs)
- Easy Installation—can be fitted in seconds—no screws, drilling or additional sealant required
- Flexible material enables cover to be fitted around obstacles or retro-fitted
- Enhances the acoustic protection of the ceiling
- Reduces heat loss through the fixture
- Significant energy cost savings
- Maintenance free

Manufactured By

Tenmat Inc

Distributed by **Techmat Supply**

4801, Glenwood Ave, Ste 200 Raleigh, NC 27612

Phone: (888) 573 3330

Email: info@techmatsupply.com

www.techmatsupply.com