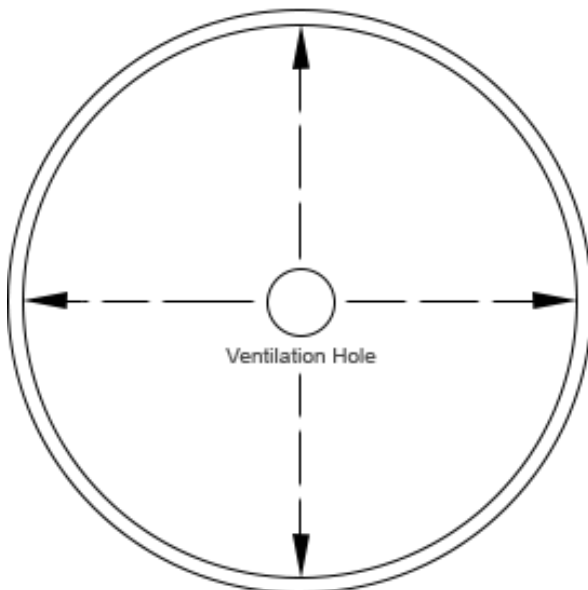
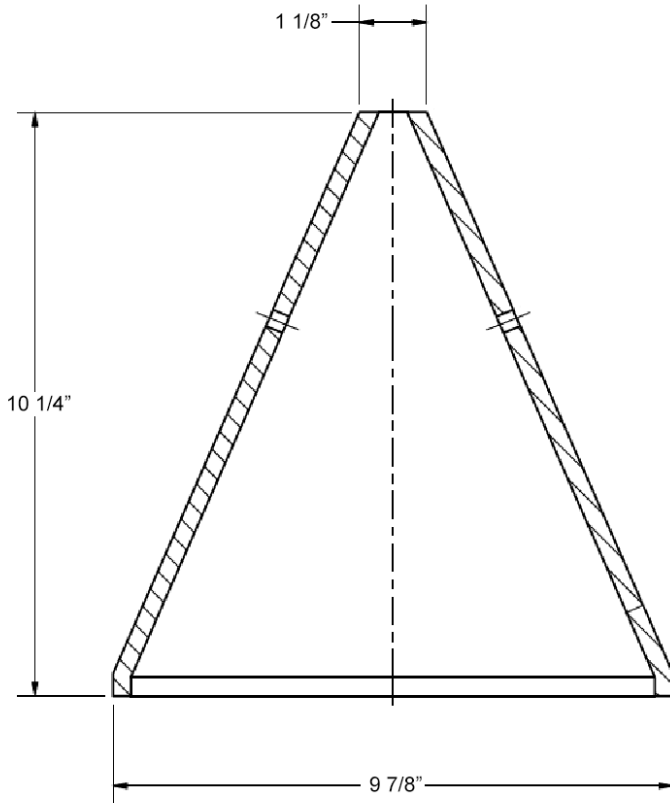


Technical Product Specifications

MODEL FF109-250



Model Number	Outside Height	Outside Diameter
FF109-250	10 1/4"	9 7/8"

Performance Data

For Use:

- ETL-Intertek certified to maintain the fire rating (1 hour) of fire-rated floor/ceiling assemblies.
- Tested to ASTM E119
 - UBC 7 1
 - NFPA 251
 - ASI A2.1



Intertek

General Information

Benefits:

- Easy Installation - can be fitted in seconds - no screws, drilling or additional sealant required
- 60 minute protection
- Cover is ventilated to reduce heat build-up
- Flexible material enables the cover to be fitted around obstacles or retro-fitted
- Maintenance free
- Enhances the acoustic protection of the ceiling
- Lightweight
- The only fire tested solution for retrofit applications
- Fits most 6" low profile LED downlight fixtures and LED wafer lights

Distributed By

Techmat Supply

4801, Glenwood Ave., Suite 200
 Raleigh, NC 27612
 Phone: (888) 573 3330
 Email: info@fireproofing.us
 www.fireproofing.us