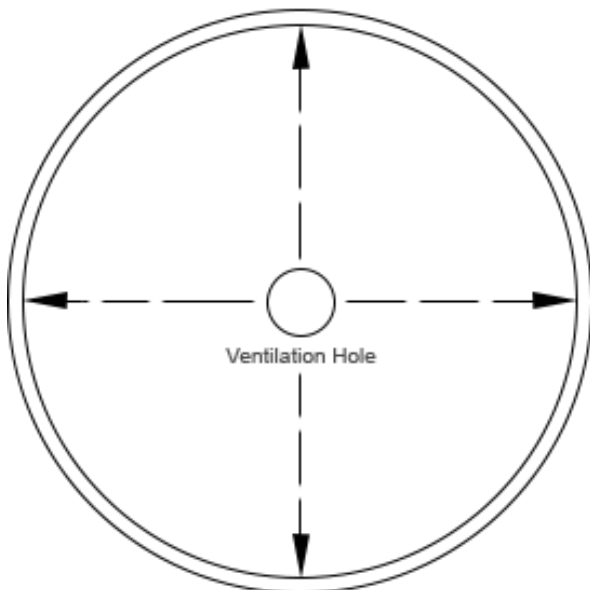
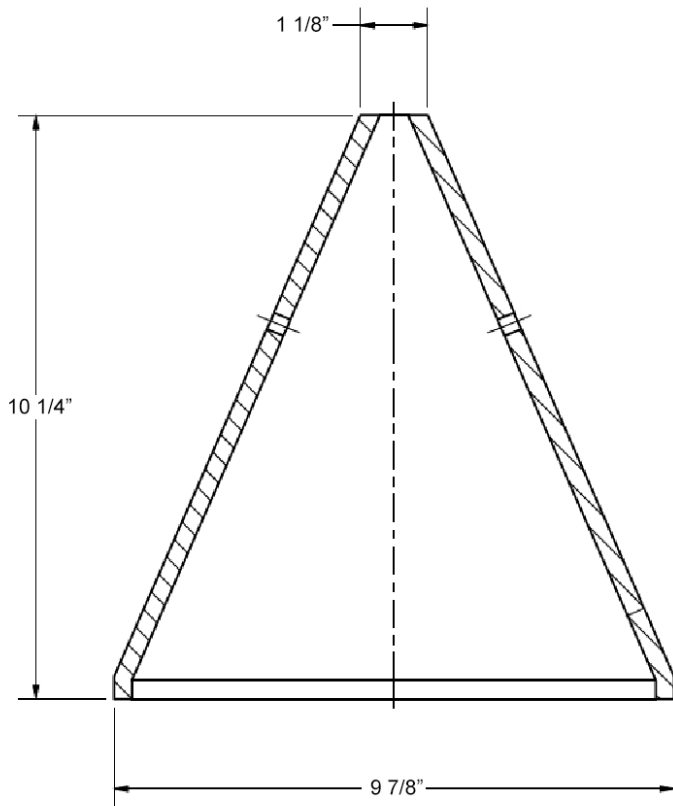



MODEL FF109-250



Model Number	Outside Height	Outside Diameter
FF109-250	10 1/4"	9 7/8"
Performance Data		
For Use:		
<ul style="list-style-type: none"> ETL-Intertek certified to maintain the fire rating (1 hour) of fire-rated floor/ceiling assemblies. Tested to ASTM E119 <ul style="list-style-type: none"> UBC 7 1 NFPA 251 ASI A2.1 		
		
General Information		
Benefits:		
<ul style="list-style-type: none"> Easy Installation - can be fitted in seconds - no screws, drilling or additional sealant required 60 minute protection Cover is ventilated to reduce heat build-up Flexible material enables the cover to be fitted around obstacles or retro-fitted Maintenance free Enhances the acoustic protection of the ceiling Lightweight The only fire tested solution for retrofit applications Fits most 6" low profile LED downlight fixtures and LED wafer lights 		
Manufactured By		
Distributed by Techmat Supply Co 4801 Glenwood Ave Ste.200 Raleigh NC 27612 Phone: (888) 573-3330 Email: info@techmatsupply.com www.techmatsupply.com		